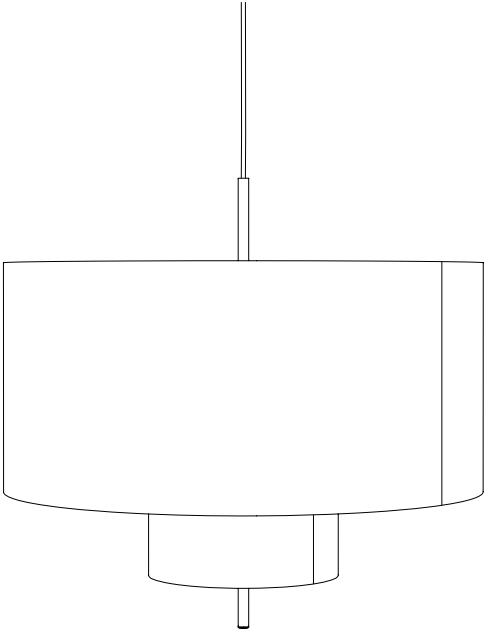


Assembly & Care Guide

Margin Pendants

John Astbury



Thank you for choosing the Margin Pendant designed by John Astbury. We hope you will enjoy it as much as we enjoyed making it. Please follow this guide to ensure correct installation, assembly, and care of your New Works product.

Attention

Please read these instructions carefully and retain them for future reference to ensure that the product is used correctly. For your safety, please study each step of this guide first.

New Works will not take any responsibility for accidents or injuries that occurs due to misuse or unintended use of the product. This includes use of the product in unintended environments, use of non-compatible light sources, adapters, other electrical peripherals or any attempts to alter the product.

If you have any questions, please do not hesitate to contact us via email: info@newworks.dk

Safety Precautions

The lamp is only intended for indoor use, consult a professionally qualified electrician if any doubt. Follow the guidance:

Margin Pendant Ø50/Ø70/Ø90
220-240V ~ 50/60Hz -3x E27 (LED bulb max. 12W)

The light bulb and lamp exterior may get hot after prolonged use. Do not try and open the product, any attempt til open the product can result in product failure, of which New Works Aps will not take responsibility.

Keep the product out of children's reach. Dispose of the packaging and do not allow children to play with it. Do not modify the product in any way.

Cleaning Instructions

Wipe the product with a soft dry or moist cloth. Do not use any abrasive cleaning tools, and never use strong cleaning agents such as household glass cleaner, white spirit, or turpentine.

Product dimensions:
Ø50: H: 340 mm; Ø70: H: 445 mm; Ø90: H: 570 mm
Light Source: 3x E27 light bulbs
Textile and steel.
Mains connected.



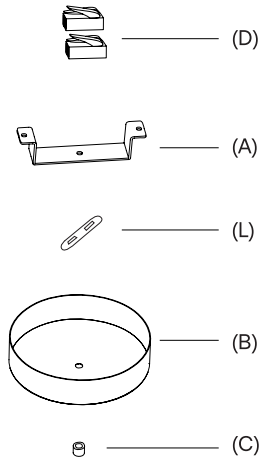
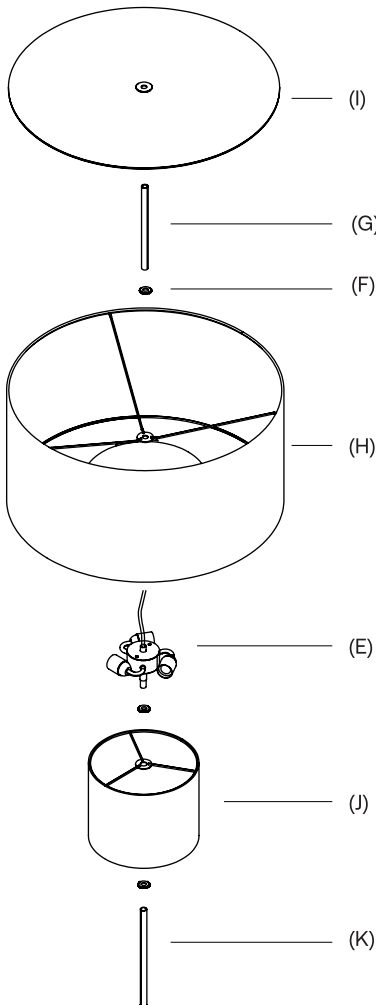
Inside the Box

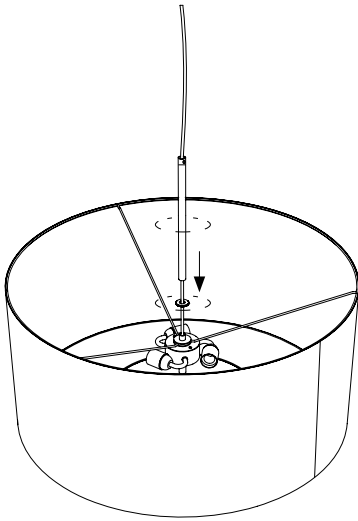
- [A] Ceiling bracket ETL
- [B] Canopy
- [C] Canopy Nut
- [D] Wire Connectors
- [E] Fixture and Cord

- [F] Nuts
- [G] Top Tube (Short)
- [H] Outer Shade
- [I] Lid
- [J] Inner Shade
- [K] Bottom Tube (Long)
- [L] Plastic Security double ring

Tools Needed

- 1 x Screw driver
- 1x Appropriate drill
- 2 x Screws and plugs

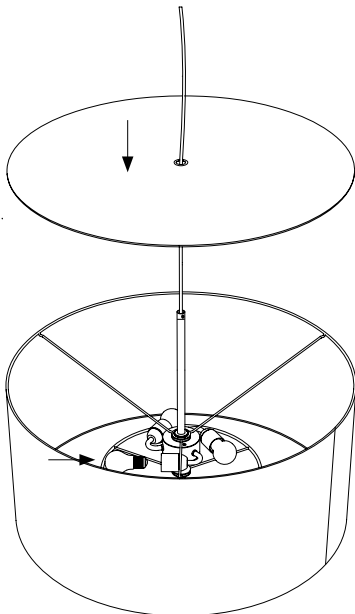




1.

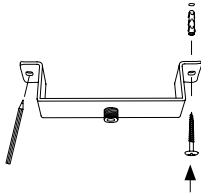
Place the light fixture (E) inside the shade (H) and insert the cable through the metal ring in the center of the shade. Use the washer (F) from the plastic bag to secure the light fixture inside the shade. Run the cable through the tube (G) and mount it on top of the washer. Tighten the set screw in the tube to secure the cable.

Attention: The fitting [E] **might** be mounted **ON TOP** of the outer shade [H]. **Unmount** the fitting [E] and install it in the correct position, **UNDERNEATH** the support structure - See diagram to the left for correct position.



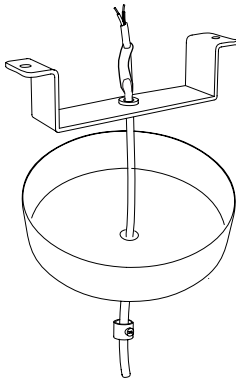
2.

Install the light bulbs - E27 LED Max. 12W or E27 60W (not included.) Run the cable through the hole in the lid (I) and place the lid on top of the shade.



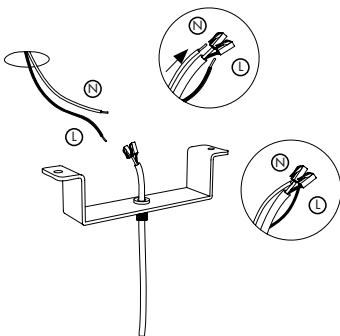
3.

Place the ceiling fitting (A) in the desired position and mark the drilling holes. Drill holes and mount the fitting. Make sure to use plugs and screws appropriate for the ceiling material.



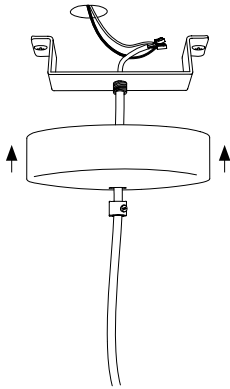
4.

Run the cable through the nut (C) and the canopy (B) before inserting it into the Ceiling fitting (A). Remember to fit the plastic security piece (L) to the cable, inside the canopy.



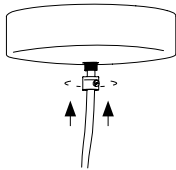
5.

Connect electricity by installing both cables, natural (N) and live (L) in the terminals (D). Consult a professionally qualified electrician if any doubt.



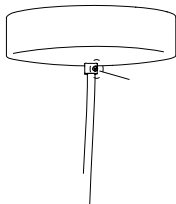
6.

Move the canopy (B) back up to cover the fitting



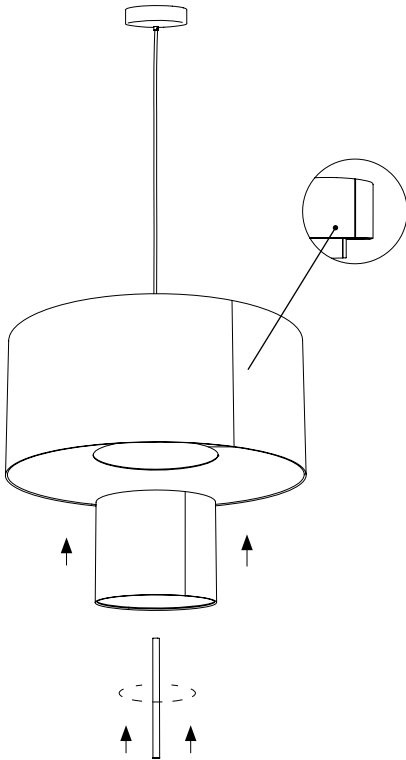
7.

Mount the nut (C) to secure the canopy.



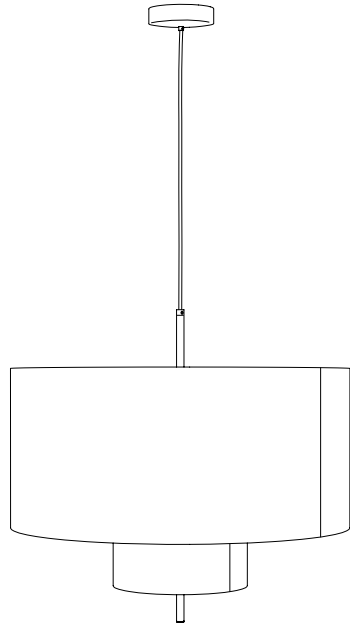
8.

Tighten the set screw in the nut to secure the cable.



9.

After the lamp has been installed place the small shade (J) inside the large shade and use the long tube (K) to secure it. Make sure the split lines are aligned.



10.

Turn on the electricity again at the main circuit breaker panel.

NEW WORKS.

info@newworks.dk +45 72 30 99 99

Frederiksgade 1, Ground Floor, 1265 Copenhagen, Denmark

www.newworks.dk @newworksdk